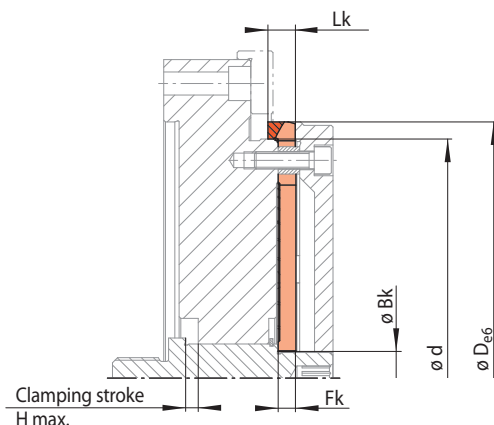


Clamping Elements Flat Elements KFD

for setup of Flat Element Flange Mandrels KFDF
to different clamping diameters within a given size



48-1

Size KFD ...	Achievable clamping diameter	Maximum diameter change**	Max. transmissible torque***	Max. actuating force***	Bk	Fk	H max.****	Lk	Art.-No.
d mm	D* mm	Δ D mm	M Nm	F N	mm	mm	mm	mm	1192-
35	41 - 47	0,15	38	5900	10,5	3	0,8	6	035004
40	47 - 55	0,15	52	5700	10,5	3	0,9	6	040004
46	54 - 62	0,20	89	9800	12,5	4	1,1	8	046004
52	60 - 72	0,20	120	9500	12,5	4	1,3	8	052004
62	70 - 80	0,21	170	9200	12,5	4	1,7	8	062004
72	80 - 90	0,21	235	8900	12,5	4	2,1	8	072004
80	90 - 100	0,27	340	14200	16,5	5	2,2	10	080004
90	100 - 110	0,27	450	14200	16,5	5	2,6	10	090004
100	110 - 120	0,28	560	14200	16,5	5	3,1	10	100004
110	120 - 130	0,28	620	13700	16,5	5	3,4	10	110004
120	130 - 145	0,30	760	13700	16,5	5	3,8	10	120002
130	145 - 155	0,30	1230	19600	21,0	6	4,0	12	130002
140	155 - 170	0,34	1350	19600	21,0	6	4,5	12	140002
155	170 - 185	0,37	1500	19600	21,0	6	5,1	12	155002
170	185 - 200	0,43	1600	19600	21,0	6	5,8	12	170002
185	200 - 220	0,47	1800	19600	21,0	6	6,4	12	185002
200	220 - 240	0,50	2850	29400	31,5	8	6,7	14	200002
220	240 - 260	0,57	3150	29400	31,5	8	7,8	14	220002
240	260 - 280	0,64	3450	29400	31,5	8	8,5	14	240002
260	280 - 300	0,70	3700	29400	31,5	8	9,4	14	260002
280	300 - 325	0,75	4100	29400	32,0	10	10,2	16	280002
300	325 - 350	0,80	4500	29400	32,0	10	11,3	16	300002
325	350 - 375	0,80	5300	29400	32,0	10	12,5	16	325002
350	375 - 400	0,80	5800	29400	52,0	10	12,7	16	350002
375	400 - 425	0,85	6300	29400	52,0	10	13,7	16	375002
400	425 - 455	0,95	6500	29400	52,0	10	15,0	16	400002
425	455 - 485	1,00	6000	24500	52,0	12	16,1	18	425002
455	485 - 520	1,05	6600	24500	52,0	12	17,1	18	455002
490	520 - 560	1,10	7200	24500	52,0	12	18,3	18	490002

* Clamping diameter adjustable to two places after the decimal point • ** of the clamping diameter of the Clamping Element. • *** for clamping with pull-back action.
**** Clamping stroke H max. describes the load limit of the Clamping Element while activation without component.

Example for ordering

Please indicate the size of the Clamping Element and the clamping diameter of your component, including component tolerance, in your order:

Size: KFD 40
Clamping diameter: 50,47 mm
Component tolerance: H7
➔ KFD 40-50,47H7