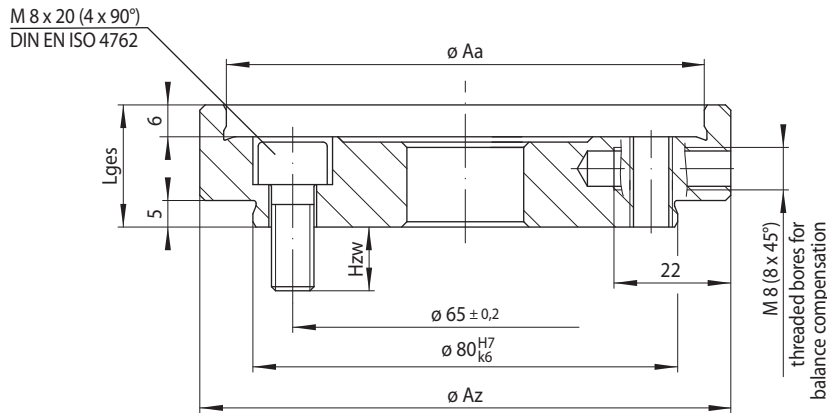


Intermediate Flanges Z Type D

for manual clamping
for machine connections of balancing machines



61-1

Intermediate Flange Z		for Complete Clamping Fixtures			Az	Hzw	Lges
Type	Size Aa	Taper Sleeve Flange Chuck	Bonded Disc Pack Flange Mandrel	Taper Collet Flange Mandrel	mm	mm	mm
for centring at outside diameter Aa	D						
	70		LBDF 11	BKDF 6 BKDF 7 BKDF 12 BKDF 18	84	12	23
	90		LBDF 15 LBDF 20 LBDF 25	BKDF 19 BKDF 27	100	12	23
	120		LBDF 30 LBDF 35 LBDF 40 LBDF 45	BKDF 32	130	10	29
	140	HKFF 66 HKFF 76	LBDF 50	BKDF 43 BKDF 44 BKDF 54	150	10	31

Description

Intermediate Flanges Z, Type D connect RINGSPANN Precision Clamping Fixtures to the spindles of balancing machines as adapters.

The component is clamped and released by activating the Precision Clamping Fixture manually. The Intermediate Flange is available in four sizes and is capable of large clamping ranges when supplemented by different Precision Clamping Fixtures.

Eight radial threaded bores are provided for the purpose of balancing the Intermediate Flange with Precision Clamping Fixture. The Intermediate Flange is mounted to the machine with four M 8 bolts.

Example for ordering type D

Intermediate Flange Z, type D for balancing machines (SR), with dimension Aa of 90 mm, for centering Taper Sleeve Flange Mandrel BKDF 27 on outside diameter Aa:

- ZDSR 90-BKDF 27