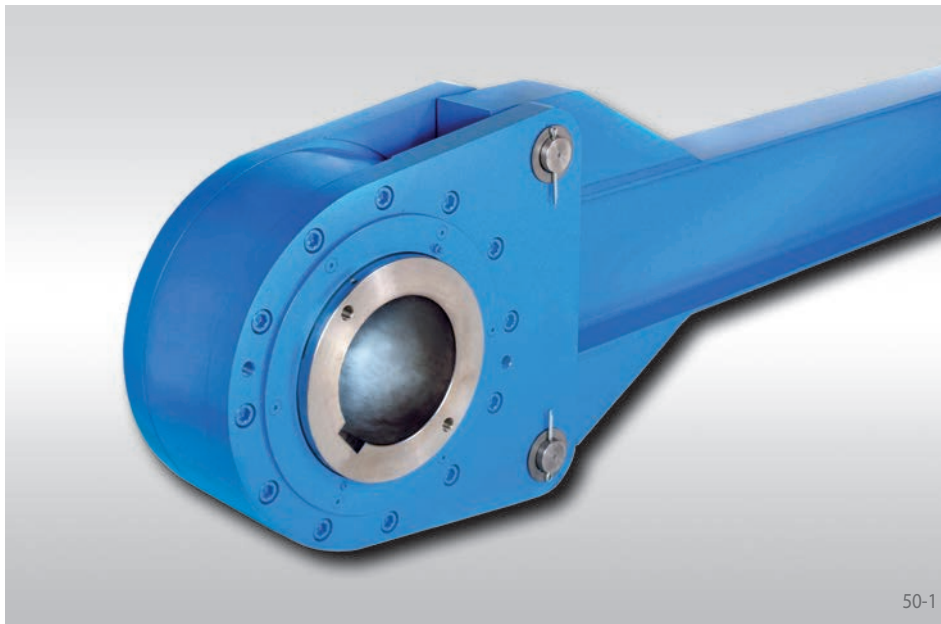


Low Speed Backstops FRHN

with lever arm
in metric dimensions with sprags



50-1

Application as

▶ Backstop

for installations with low speeds. The freewheels are designed for the use in inclined conveyor belts, elevators or pumps. Taconite seals protect the freewheels from contamination with dust or dirt.

Features

Low Speed Backstops FRHN with lever arm are sealed sprag freewheels with ball bearings. They are supplied oil-filled and ready for installation.

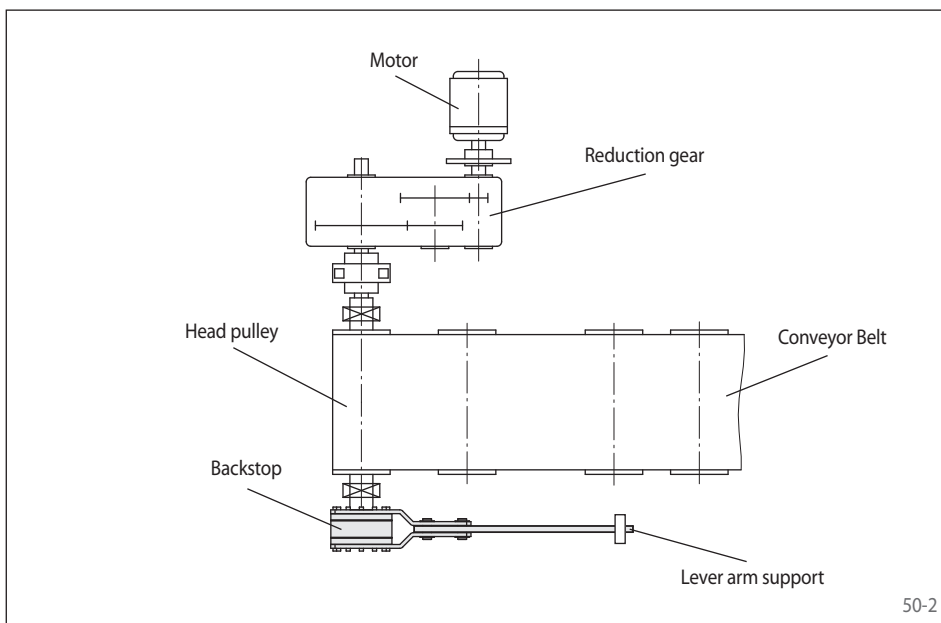
The Low Speed Backstops FRHN are arranged on through shafts or shaft ends.

Nominal torques up to 503 550 Nm.

Bores up to 320 mm

Application example

Backstop FRHN 1 200 on the head drum shaft of an inclined conveyor belt system. The lever arm is bolted to the freewheel. The backdriving torque is supported by the lever arm on the base plate. When the conveyor belt is without any load, the drum shaft can be turned in both directions during maintenance by removing the bolts.



50-2

Mounting

The backdriving torque is supported by the lever arm. The lever arm must not be clamped into position. It must have 12,7 mm play in the axial and in the radial direction.

The tolerance of the shaft must be ISO h6 or j6.

Example for ordering

Freewheel size FRHN 1 200 with a 230 mm bore:

- FRHN 1 200, d = 230 mm

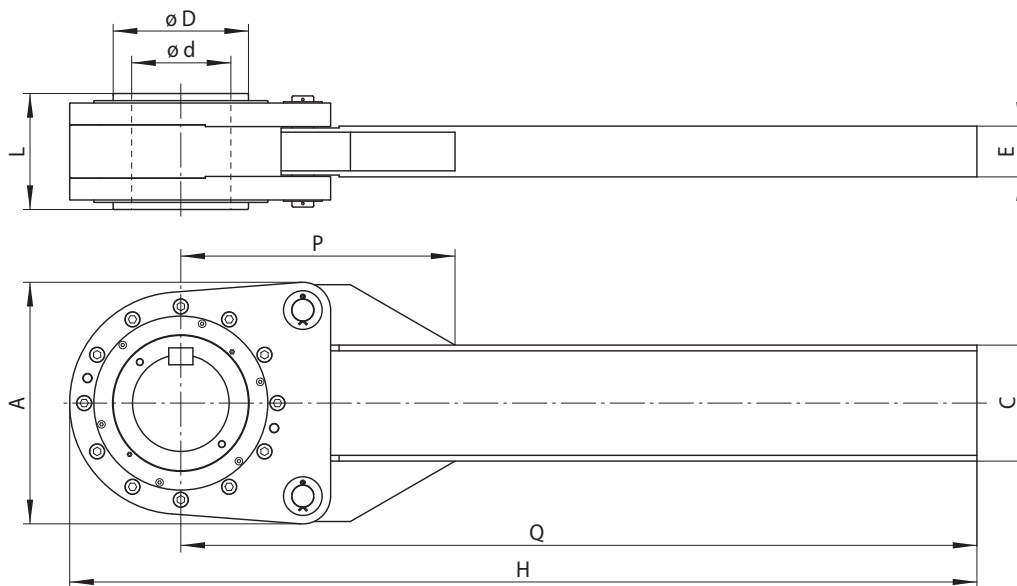


50-3

Low Speed Backstops FRHN

with lever arm

in metric dimensions with sprags



51-1

Backstop	Standard type	Dimensions											
	For universal use												

Freewheel Size	Nominal torque M_N Nm	Max. Speed Inner ring freewheels min^{-1}	Bore d max. mm	A mm	C mm	D mm	E mm	H mm	L mm	P mm	Q mm	Weight kg
FRHN 1 200	113 400	200	230	586	280	300	124	2 239	280	712	1 974	620
FRHN 1 400	189 000	200	280	760	450	380	154	2 590	330	758	2 268	1 000
FRHN 1 600	503 550	110	320	826	500	400	160	3 104	490	772	2 742	1 600

The maximum transmissible torque is 2 times the specified nominal torque. See page 14 catalogue „Freewheels“ for determination of selection torque. Keyway dimensions upon request by customers.